



**FSM Frankenberger
GmbH & Co. KG**

Equipment for Water
and Waste Water
Inlet Works



Septage Receiving
Station FK100



FSM Frankenberger GmbH & Co. KG
Vor dem Hohen Stein 1 · D-35415 Pohlheim/Garbenteich
Tel. +49 (0) 06404-9194-0 · Fax +49 (0) 06404-9194-91
info@fsm-umwelt.de · www.fsm-umwelt.de

FSM Septage Receiving Station FK100



General description

The FSM-Septage Receiving Station is used for screening, dewatering, washing, compacting and physically treating of septage waste. This process is used both by municipal utilities and industry. Septage handling is a further development of the screenings press for use on this application. Septage tanker waste or industrial waste water is vacuum pumped from the tanker into a 2,7 m³ buffer tank. The large capacity of this buffer tank enables the suction vehicle to be emptied more quickly and ef-

fectively. Septage flows into the system turning by a key switch or transponder. The septage flows through a screen at the bottom of the machine. The screw is cleaning the screen and conveys the screenings to the wash- and dewatering zone. The screenings is pressed into a discharge pipe. The standard perforation of the screen is 6 mm. Other diameters are possible if requested. The effluent discharge is performed via a collection tank with hanged outlet pipe off the machine.

As a septage receiving station, the machine can be directly charged from a suction vehicle. Transponders or key switches can be used to reference the delivery to the appropriate supplier and to record quantities. The septage receiving station can be extended to include a grit channel to deal with material containing large quantities of grit. This ensures that additional sand does not find its way into the sewage plant.

Applications in municipal and industrial clarification plant

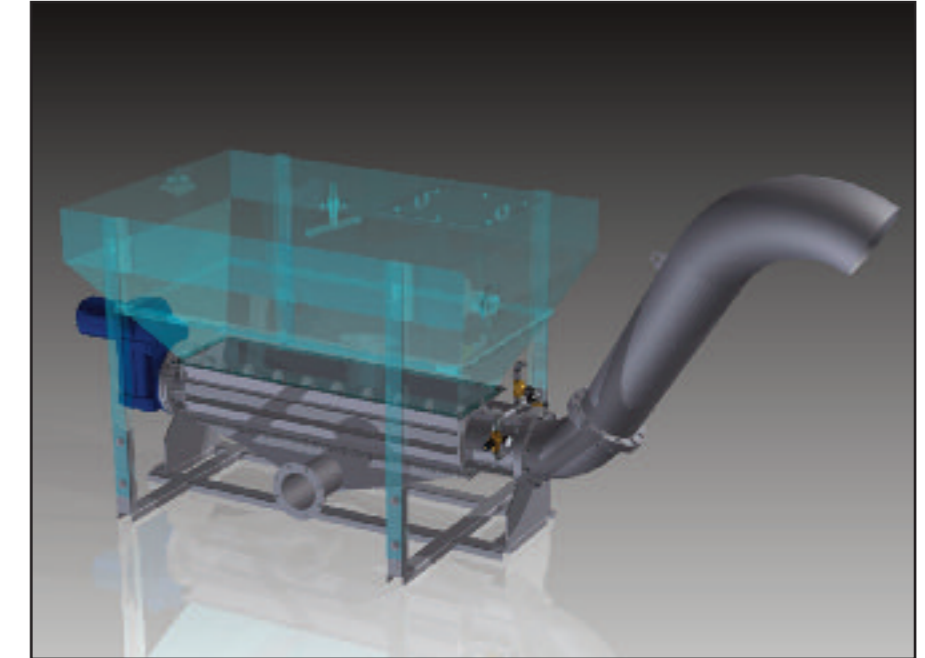
- waste water pre-treatment / fine screening
- sludge screening / secondary sludge
- sludge screening / primary sludge
- septage reception and treatment
- screen in container for pumped feeds to clarification plants

Industrial applications

- meat, fish and poultry processing / slaughterhouses - preliminary clarification of total waste water



- composting installations, waste product and disposal engineering, seepage water treatment
- fruit and vegetable processing - preliminary clarification of total waste water
- fruit and vegetables - preliminary clarification of total waste water
- breweries- preliminary clarification of total waste water
- animal processing - preliminary clarification of total waste water
- disposal of wet debris and kitchen waste
- disposal of foodstuffs and food waste



Dimensions:

dimensions	sizes on request
hole size of the screen	2 - 12 mm, other sizes on request
Ø conveyor screw	300 mm
throughput	on request
solid matter	> 35 %
elutriation of fecal matter	> 90 %
volume reduction	60 - 80%
weight reduction	60 - 80%

Material/make:

machine housing	stainless steel SS304 or SS316, other materials on request
screen	stainless steel SS304 or SS316, other materials on request
discharge pipe	stainless steel SS304 or SS316, other materials on request
sack filling device	stainless steel SS304 or SS316, other materials on request
conveyor screw	extremely wear resisting steel, other materials on request
wear strips	extremely wear resisting steel
drives	geared motors, make SEW

